

SAF1.08Sx/12 - SAF2.08Sx/12
ON/OFF Electric Spring Return Actuator for Fire Damper

Application

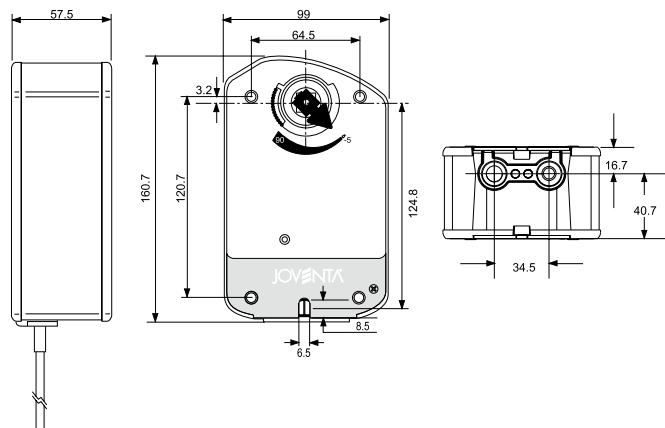
The **JOVENTA SECURITY FIRE** electric, Spring Return damper actuator series has been specially developed for the motorized operation of fire protection dampers. When the control signal is applied the actuator drives the damper to the operational position, while evenly tensioning the integrated spring. After a power failure the stored energy in the spring immediately brings the damper to the safety position. Manual operation is automatically cancelled when the actuator is in electrical operation.

Features

- 2-Point control signal
- 12 mm square shaft and 10 mm, 8 mm adapter inside the package
- Connection with halogen-free cable
- ST1.72E temperature sensor. Switch point of temperature sensor ca.72°C
- Actuator temperature sensor to monitor ambient sensor.
- Low noise level
- Manual positioning with crank handle
- 2 fixed auxiliary switches (8° and 83°)



Dimensions in mm

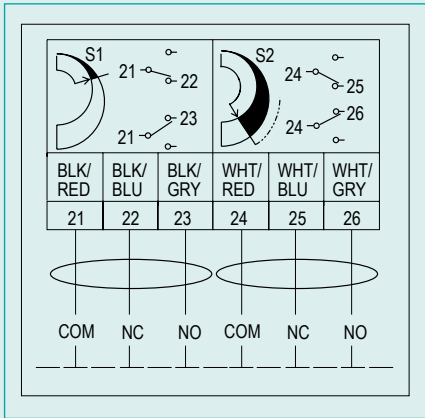


Ordering Codes

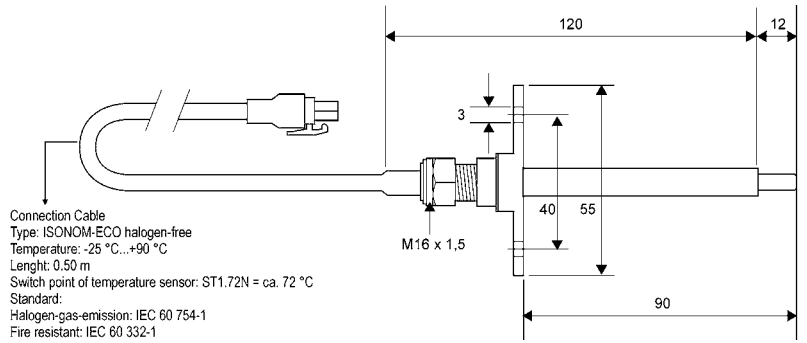
S	A	F	1	.08S	A	/	12	ON/OFF Electric Spring Return Actuator for fire damper
								- = without sensor A = with ambient thermosensor B = with duct sensor C = with duct and ambient sensors
								1 = 24 V AC/DC 2 = 230 VAC

SAF1.08Sx/12 - SAF2.08Sx/12
ON/OFF Spring Return Actuator for Fire Damper

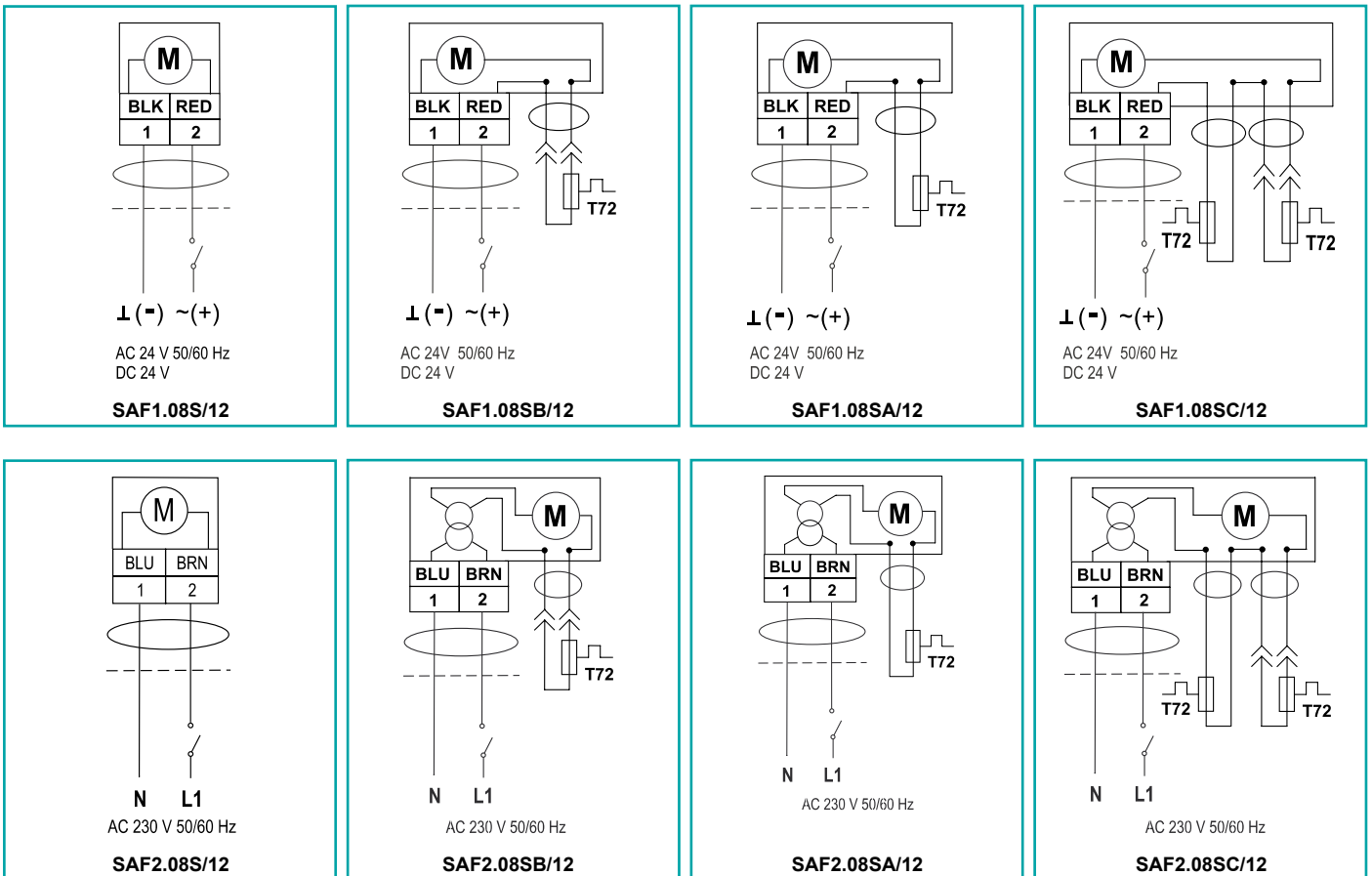
Auxiliary Switches (S)



Thermal Fuse ST1.72E



ON/OFF Control Wiring Diagrams



SAF1.08Sx/12 - SAF2.08Sx/12

ON/OFF Electric Spring Return Actuator for Fire Damper

Technical Specifications

Actuator	SAF1.08Sx/12	SAF2.08Sx/12
Action Control	ON/OFF	
Power Requirements	24 V AC at 50/60 Hz (AC 18 V to 30 V) 24 V DC (DC 21.6 V to 28.8 V)	230 V AC at 50/60 Hz (AC 198 to 264 V)
- <i>Running (AC)</i>	6.1 VA	9.2 VA
- <i>Holding Position (AC)</i>	1.2 VA	6.9 VA
- <i>Running (DC)</i>	3.5 W	---
- <i>Holding Position (DC)</i>	0.5 W	---
Transformer Sizing Requirements		
- <i>Minimum per Actuator</i>	7 VA	---
Auxiliary Switch Rating	Fix 8° and 83° Two Single-Pole, Double-Throw (SPDT), Double-Insulated Switches with Gold Flash Contacts: AC 24 V, 50 VA Pilot Duty; AC 240 V, 5.0 A Resistive, 1/4 hp, 275 VA Pilot Duty	
Spring Return	Direction is Selectable with Mounting Position of Actuator: Side A, Actuator Face Away from Damper for CCW Spring Return; Side B, Actuator Face Away from Damper for CW Spring Return	
Rated Torque		
- <i>Power On (Running)</i>	8 Nm at all operating temperatures	
- <i>Power Off (Spring Running)</i>	8 Nm at all operating temperatures	
Rotation Range	Maximum Full Stroke: 95 °	
Rotation Time for 95°		
- <i>Power On (Running)</i>	55 to 71 Seconds for 0 to 8 Nm Load, at All Operating Conditions 60 Seconds Nominal at Full Rated Load (0.251 rpm)	
- <i>Power Off (Spring Returning)</i>	13 to 26 Seconds for 0 to 8 Nm Load, at Room Temperature 21 Seconds Nominal at Full Rated Load 39 Seconds Maximum with 8 Nm load at -20° C	
Cycles	60,000 Full Stroke	
Audible Noise Rating		
- <i>Power On (Running)</i>	<47 dBA at 8 Nm Load, at a Distance of 1 m	
- <i>Power On (Holding)</i>	<20 dBA at a Distance of 1 m	
- <i>Power Off (Spring Returning)</i>	<52 dBA at 8 Nm Load, at a Distance of 1 m	
Electrical Connections		
- <i>Actuator (all models)</i>	1.2 m UL 758 Type AWM Halogen Free Cable with 0.85 mm ² (18 AWG) conductors and 6 mm ferrule ends	
- <i>Auxiliary Switches (-xxC models)</i>	1.2 m UL 758 Type AWM Halogen Free Cable with 0.85 mm ² (18 AWG) conductors and 6 mm ferrule ends	
Mechanical Connections	12 mm square shaft, 10 mm and 8 mm adapter	
Enclosure Rating	IP 54 for all mounting orientations	
Ambient conditions		
<i>Operating</i>	-20 to 50° C; 90% RH Maximum, Non-condensing	
- <i>Storage</i>	-40 to 60° C; 95% RH Maximum, Non-condensing	
Shipping Weight	Models: SAF1.08Sx/12: 1.7 kg Models: SAF2.08Sx/12: 1.9 kg	
Dimensions	See figure	
Compliance	EMC Directive 2004/108/EC (Models: All) Low Voltage Directive 2006/95/EC (Models: All)	
