

TF60, TF160, TF250 Safety Isolating Transformers

Application

The TF60, TF160, TF250 safety isolating transformer for mounting rail or wall mounting is used as an AC 24 V power supply in digital and analog control systems.



Content	Page
Important Information Regarding Product Safety	2
Item	3
Technical Data	3
Dimensions	3
Connection.....	4
Installation.....	4

Änderungen vorbehalten - Contents subject to change - Sous réserve de modifications - Reservado el derecho a modificación - Wijzigingen voorbehouden - Con riserva di modifiche - Innehåll som skall ändras - Zmeny vyhradené - Změny vyhrázeny - Zmiany zastrzeżone - Возможны изменения - A változtatások jogát fenntartjuk - 保留未经通知而改动的权力

Important Information Regarding Product Safety

Safety Instructions

This data sheet contains information on installing and commissioning the product "TF60, TF160, TF250". Each person who carries out work on this product must have read and understood this data sheet. If you have any questions that are not resolved by this data sheet, you can obtain further information from the supplier or manufacturer.

If the product is not used in accordance with this data sheet, the protection provided will be impaired.

Applicable regulations must be observed when installing and using the device. Within the EU, these include regulations regarding occupational safety and accident prevention as well as those from the VDE (Association for Electrical, Electronic & Information Technologies). If the device is used in other countries, it is the responsibility of the system installer or operator to comply with local regulations.

Mounting, installation and commissioning work on the devices may only be carried out by qualified technicians. Qualified technicians are persons who are familiar with the described product and who can assess given tasks and recognize possible dangers due to technical training, knowledge and experience as well as knowledge of the appropriate regulations.

Legend



WARNING

Indicates a hazard of medium risk which can result in death or severe bodily injury if it is not avoided.



CAUTION

Indicates a hazard of low risk which can result in minor or medium bodily injury if it is not avoided.



CAUTION

Indicates a hazard of medium risk which can result in material damage or malfunctions if it is not avoided.



NOTE

Indicates additional information that can simplify the work with the product for you.

Notes on Disposal

For disposal, the product is considered waste from electrical and electronic equipment (electronic waste) and must not be disposed of as household waste. Special treatment for specific components may be legally binding or ecologically sensible. The local and currently applicable legislation must be observed.

Product Description

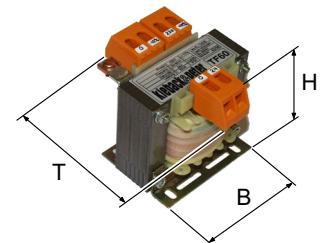
TF60, TF160, TF250

Item

TF60 Isolating transformer according to VDE 0570/ EN 61558; AC 230 V ± 10%/ AC 24 V, 63 VA
 TF160 Isolating transformer according to VDE 0570/ EN 61558; AC 230 V ± 10%/ AC 24 V, 160 VA
 TF250 Isolating transformer according to VDE 0570/EN 61558; AC 230 V ± 10%/ AC 24 V, 250 VA

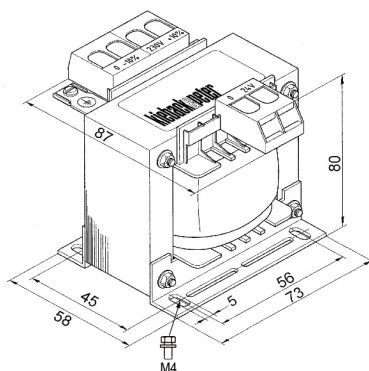
Technical Data

Input voltage	AC 230 V, 50 Hz..60 Hz	
Output voltage	TF60	AC 24 V, 63 VA
	TF160	AC 24 V, 160 VA
	TF250	AC 24 V, 250 VA
Connection	TF60, TF160	Screw terminals, 2.5 mm ²
	TF250	4 mm ² for screw terminals for AC 24 V, separate screw terminals for 230 V ± 10%
Overvoltage category	IV	
Rated impulse voltage	6000 V	
Level of contamination	2	
Method of operation	Type 1	
Degree of protection	IP00	
Protection class	I	
Ambient temperature	0 °C..40 °C	
Ambient humidity	During operation: 20%..80% r.h.; non-condensing Out of operation: 5%..90% r.h.; non-condensing	
Installation	Switch cabinet installation Mounting holes	
Weight	TF60	1.20 kg
	TF160	3.48 kg
	TF250	4.48 kg
Dimensions	Device	WxHxD mm
	TF60	73 x 80 x 87
	TF160	104 x 100.5 x 107
	TF250	104 x 100.5 x 123

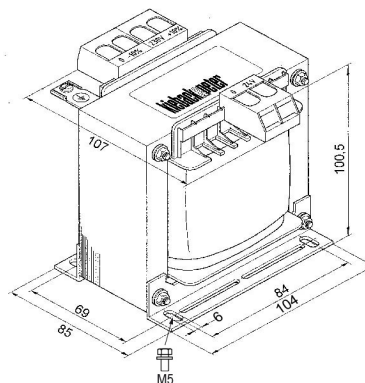


Dimensions

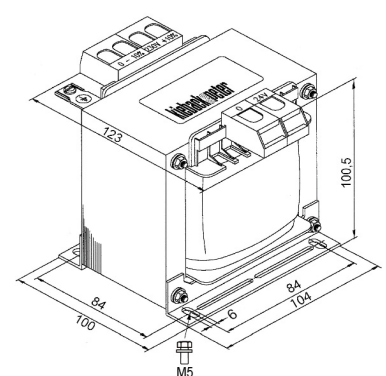
TF60



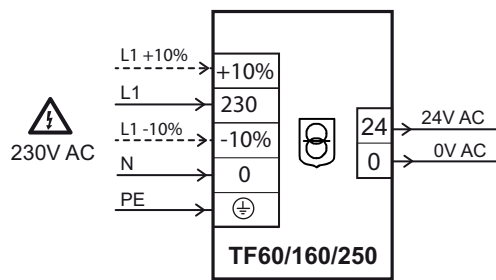
TF160



TF250



Connection



Installation



WARNING

Danger of death by electrocution.
Mount or remove only when power is switched off.



WARNING

Supply voltage of AC 230 V. Electrical installation and transformer connection may only be carried out by qualified technicians.

Installation with high-voltage lines must be made in accordance with VDE guidelines and local regulations.

The transformer is connected according to the obligatory wiring diagram.